



P51

Optic Pen

FEATURES

- Excellent reading performance
- Rugged anti-magnetic stainless steel enclosure
- IP64 (NEMA 12) protection
- Low power consumption
- Large depth of field
- Mechanical tip protection
- Fast scanning speed
- Lightweight
- Superior tilt angle

APPLICATIONS

- Office automation
- Shop Floor data collection
- Portable terminals
- Battery powered equipment
- POS

GENERAL DESCRIPTION

P51 has been researched and designed to match the demands of virtually all pen reader applications on the market today.

Whether connected to a portable terminal for use in aggressive environments, or for operation in office environments, **P51** is the right solution.

The optical tip of the pen uses a fiber optic coupled with a synthetic ruby to provide maximum performance and durability. To prevent damage, should the pen drop, the whole optical assembly has been spring-loaded so as to momentarily retract and absorb the shock of the impact on the body, avoiding the optical parts.

For industrial environments, **P51** has been designed to comply with IP64 (NEMA 12) degree of protection, thus preventing dust and rain from entering the pen and degrading the reading performance. The body material is anti-magnetic stainless steel, providing the highest physical protection.

Current consumption has also been a critical design factor. The P51 consumes only 6 mA, without a trade-off in performance, making it ideal for portable and battery powered devices.

Like all Datalogic products, **P51** is designed to give years of maintenance and trouble-free service. The electronics incorporate a special A.G.C. circuit, which eliminates the need for manual adjustment, thus ensuring optimum performance for years to come.

In the event of misuse or if the cable or tip become damaged, they are easily replaced at your local Datalogic service center.



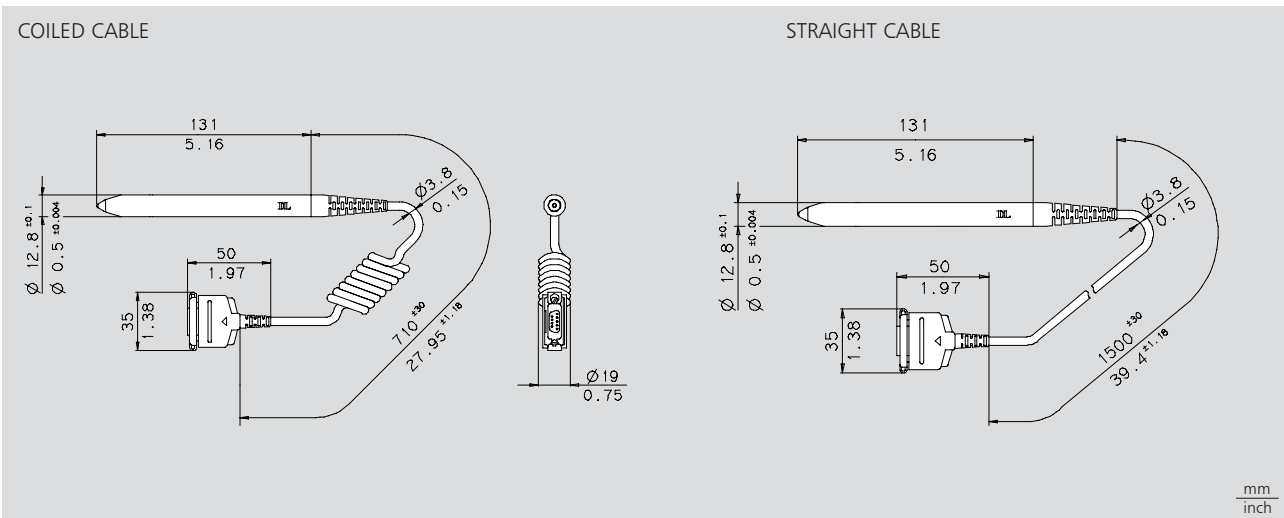
MODELS AND ACCESSORIES

TYPE	LIGHT SOURCE red (660 nm)	APERTURE - mm (mils)			CABLE/CONNECTOR			ORDER No.
		0,15 (6)	0,25 (10)	0,38 (15)	1,5 m straight no connector	2,5 m coiled DL connector	1,5 m straight DL connector	
P51R-11	•	•			•		J9703900	
P51R-12	•	•				•	J9703901	
P51R-14	•	•					J9703902	
P51R-31	•		•		•		J9703906	
P51R-32	•		•			•	J9703907	
P51R-34	•		•				J9703908	
P51R-21	•			•	•		J9703903	
P51R-22	•			•		•	J9703904	
P51R-24	•			•			J9703905	
ACCESSORIES								
SPC1		Plastic pen holder					B8204185	
SPC-08		Metal pen holder					B8202667	

SPECIFICATIONS

POWER SUPPLY	5 Vdc \pm 10%	CASE MATERIAL	Stainless steel
MAX. POWER RIPPLE	100 mVpp	CABLE LENGTH	
POWER CONSUMPTION	6 mA typ.	Coiled	70 cm
DEPTH OF FIELD	1.5 mm	Extended	2.5 m
SCAN SPEED		Straight	1.5 m
0.15 mm Code	5 to 100 cm/sec	AMBIENT LIGHT CONDITIONS	4,000 lux max.
0.25 mm Code	7 to 240 cm/sec	ELECTROSTATIC DISCHARGE	
PRINT CONTRAST (min.)	PCS=0.40	IMMUNITY (R=150 Ohm C=150 pF)	20 KV
READING ANGLE	0 to 50 degrees max.	OPERATING TEMPERATURE	-10 to 50 °C
OUTPUT	NPN Transistor 20 V, 20 mA max.; Open collector is ON when the reader is on a white background	STORAGE TEMPERATURE	-30 to 80 °C
RISE AND FALL TIME		VIBRATION RESISTANCE	5 G at 5 to 400 Hz, 2 hours sinewave, sweeptime 1 octave/min x, y, z
R=5 KOhm	5 μ s (10 to 90%), 1 μ s (90 to 10%)	SHOCK RESISTANCE	400 G, 5 ms 3 shocks on 6 planes half sine
WEIGHT (without cable)	40 g	PROTECTION CLASS	IP64

DIMENSIONS



Product and company names and logos referenced may be either trademarks or registered trademarks of their respective companies

We reserve the right to make modifications and improvements

Datalogic S.p.A.

Italy
Corporate Headquarters
Tel. +39 051/3147011
Fax +39 051/726562
venditeitalia@datalogic.it
info@datalogic.it

Sales Italy
Tel. +39 051/3147300
Fax +39 051/726562
venditeitalia@datalogic.it

Sales International
(Central and South America,
Far East, Middle East - Africa)
Tel. +39 041/5986511
Fax +39 041/5986550
sales-intl@datalogic.it

Australia

Datalogic PTY LTD.
Tel. +61 3/95589299
Fax +61 3/95589233
sales@datalogic.com.au

Germany

Datalogic GmbH
Tel. +49 7026/6080
Fax +49 7026/5746
info@datalogic.de

Sweden

Datalogic AB
Tel. +46 40/385000
Fax +46 40/385001
info@datalogic.se

Austria

Datalogic Handelsges MBH
Tel. +43 2236/258820
Fax +43 2236/258825
office@datalogic.co.at

Japan

Izumi Datalogic Co., Ltd.
Tel. +81 78/3033400
Fax +81 78/3033402
idlmarke@izumi-datalogic.co.jp

United Kingdom

Datalogic UK Ltd.
Tel. +44 1582/464900
Fax +44 1582/464999
enquiries@datalogicdemon.co.uk

Denmark

Datalogic AB
Tel. +45 44/209970
Fax +45 44/209972
info@datalogic.se

Netherlands

Datalogic Optic Electronics BV
Tel. +31 346/572888
Fax +31 346/568736
info@datalogic.nl

U.S.A.

Datalogic Inc.
Tel. +1 859/6897000
Fax +1 859/3344970
info@datalogic.com

France

Datalogic France S.A.
Tel. +33 1/60921111
Fax +33 1/60921340
dlfrance@worldnet.fr

Spain

Datalogic España
Tel. +34 93/4335253
Fax +34 93/4335254
datalogic@sei.es

Datalogic Quality Partner

