

MS-2



Compact Shape/Size

ACTUAL SIZE SHOWN
 Height: 0.85" (21.6 mm)
 Width: 1.75" (44.5 mm)
 Length: 1.75" (44.5 mm)

Wide Scan Angle



MS-2: At a Glance

- Scans/second: up to 220
- Read Range: 0.7 to 13.6" (17.7 to 345.4 mm)
- Low 5V Power Draw
- IP54 Enclosure
- Four Versions Available



ESP® Easy Setup Program: Single-point software provides quick and easy setup and configuration of all Microscan readers.

For more information, visit www.smallscanners.com.

Ultra-Compact CCD Reader

The user-friendly MS-2 is a fully packaged CCD reader, offering easy integration and several configurations to meet a variety of needs. Advanced CCD technology is coupled with world-class algorithms to ensure easy and accurate decoding of small, damaged or poorly printed codes.

High performance and flexibility make the MS-2 the optimal embedded reader for reading difficult codes.

Compact & Lightweight

The 1.75" (44.5 mm) square by 0.85" (21.6 mm) tall reader weighs less than 2 ounces (57 g) for easy mounting onto robotic equipment or into tight spaces.

Visible Indicators

Illuminated LEDs on top of the reader provide visual confirmation of reader status.

Versatility

Low and high density scan angle versions paired with standard and right angle packages allow flexible configuration for a wide range of applications.

Reading Capabilities

The MS-2 can easily read the most difficult codes, and excels at reading on highly reflective surfaces.

Application Examples

- Clinical instruments
- Bank ATMs
- Parking kiosks
- Point-of-sale terminals
- Robotics

MS-2: Available Codes

Linear

All Standard



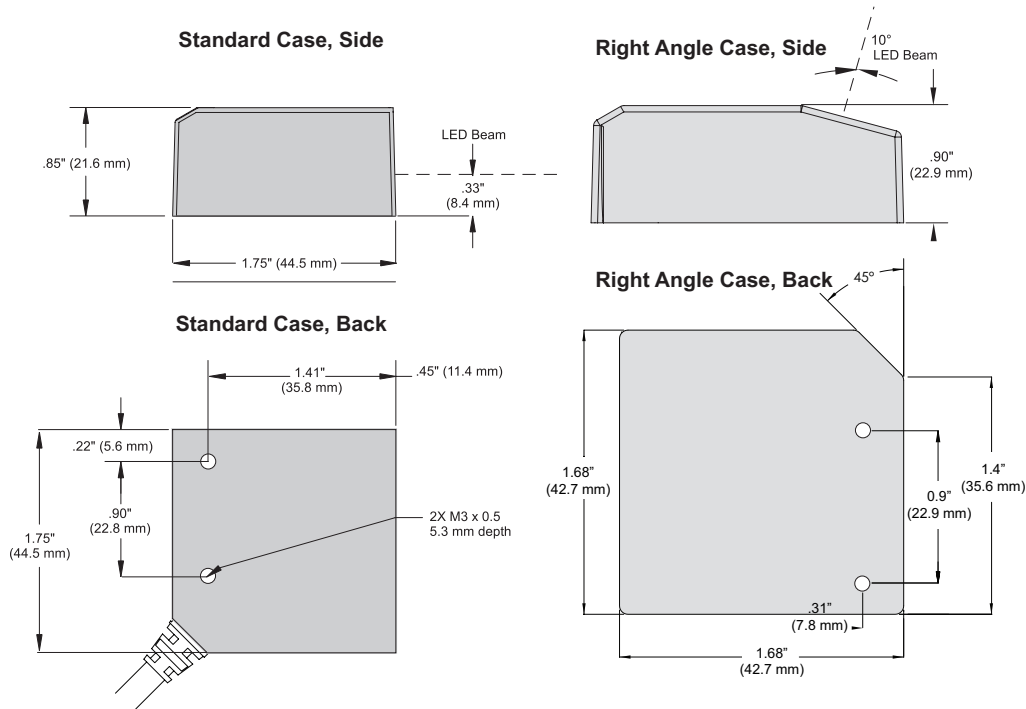
Stacked

GS1 Databar (RSS)



MICROSCAN®

MS-2 CCD Reader Specifications and Options



MECHANICAL

Height: 0.85" (21.6 mm)
Width: 1.75" (44.5 mm)
Length: 1.75" (44.5 mm)
Weight: 2 oz. (57 g)

DESIGN

Flash memory sensor:
 CCD linear image sensor
Optics: 660 nm visible LED
 Bright and sharp scan line

SCANNING PERFORMANCE

Scan rate: 220 scans/sec
Min. X dimension: Down to 0.05 mm (2mil) on Code 39
Depth of field: 0 to 345 mm (13.6")
Bar code width: Up to 114 mm (4.5") on 0.25 mm (10 mil) resolution code

COMMUNICATION

Interface: RS-232

CABLE AND CONNECTOR

Type: 3-ft cable terminated with a 15-pin HD D-sub socket connector

SYMBOLOGIES

UPC (E&A), EAN, Code 39, Code 128, UCC EAN 128, Interleaved, Industrial and Standard 2 of 5, Codabar, Code 93, MSI, Plessey, GS1 Databar (RSS)

ENVIRONMENTAL CHARACTERISTICS

Operating temperature: 0 to 50° C (32 to 122° F)
Storage temperature: -20 to 60° C (-4 to 140° F)
Relative humidity:
 20% to 85% (non-condensing)
Ambient light: Works in any lighting conditions, from 0 to 70,000 lux

HOST CONNECTOR/PIN ASSIGNMENTS 15-PIN HD D-SUB SOCKET CONNECTOR

Pin No.	Decoded Operation	In/Out
1	VCC	In
2	TXD	Out
3	RXD	In
4	GND	
5	N/C	
6	RTS	Out
7	N/C	
8	FW Ground	In
9	Trigger	In
10	CTS	In
11	N/C	
12	N/C	
13	Chassis GND	
14	N/C	
15	N/C	

CE MARK

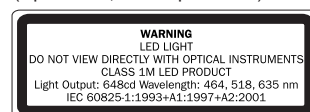
Immunity designed for:
 EN 55-24:1998 ITE Immunity Standard
Radiated and conducted emissions designed for:
 EN 55022:98 ITE disturbances class A

ELECTRICAL

Power: 5V +/-5%, 300 mV p-p max ripple, 150 mA @ 5 VDC (typ.)

DISCRETE I/O

Trigger Inputs: 4.7 to 24V rated (0µA @ 5V, -600 µA @ 0V)



SAFETY CERTIFICATIONS DESIGNED FOR FCC, UL/cUL, CE



ISO 9001:2000
Certified QMS

ROHS/WEEE COMPLIANT

ISO CERTIFICATION

Issued by TÜV USA Inc, Member of TÜV NORD Group, Cert No. 06-1080

©2008 Microscan Systems, Inc.
 Read Range and other performance data is determined using high quality Grade A symbols per ISO/IEC 15415 and ISO/IEC 15416 in a 25°C environment. For application-specific Read Range results, testing should be performed with symbols used in the actual application. Microscan Applications Engineering is available to assist with evaluations. Results may vary depending on symbol quality. **Warranty**—One year limited warranty on parts and labor. Extended warranty available.

MICROSCAN®

Microscan Systems, Inc.
 Tel 425 226 5700 / 800 251 7711
 Fax 425 226 8250
Microscan Europe
 Tel 31 172 423360 / Fax 31 172 423366
Microscan Asia Pacific R.O.
 Tel 65 6846 1214 / Fax 65 6846 4641

Part of a full range of sales tools available from our website:

www.microscan.com
E-mail: info@microscan.com
Tech support: helpdesk@microscan.com